

NEXT USED ASSEMBLY
 CG2-40-M8U-79CG-A10025
 BL06-50-M8U-8700-A10024

NO REPRESENTATION OR WARRANTY, EXPRESSED OR IMPLIED, IS MADE AS TO THE ACCURACY, COMPLETENESS OR USEFULNESS OF THE INFORMATION OR STATEMENTS CONTAINED IN THESE DRAWINGS, OR THAT THE DISCLOSURE OF ANY INFORMATION, APPARATUS, METHOD OR PROCESS DISCLOSED IN THESE DRAWINGS MAY NOT INFRINGE PRIVATE RIGHTS OF OTHERS. NO LIABILITY IS ASSUMED WITH RESPECT TO THE USE OF, OR FOR DAMAGES RESULTING FROM THE USE OF, ANY INFORMATION, APPARATUS, METHOD OR PROCESS DISCLOSED IN THESE DRAWINGS. DRAWINGS MADE AVAILABLE FOR INFORMATION TO BIDDER ARE NOT TO BE USED FOR OTHER PURPOSES AND ARE TO BE RETURNED UPON REQUEST OF THE FORWARDING CONTRACTOR.

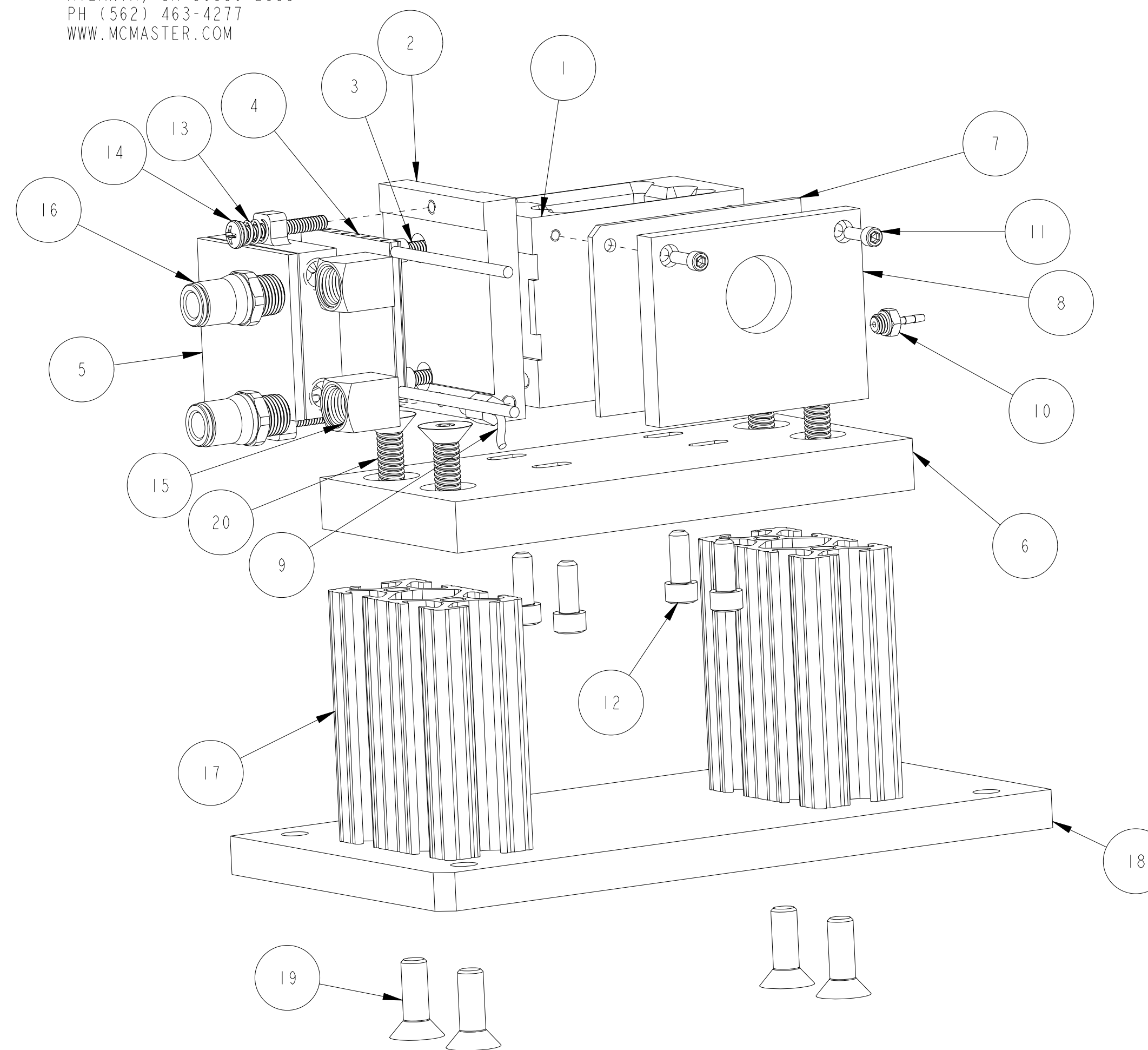
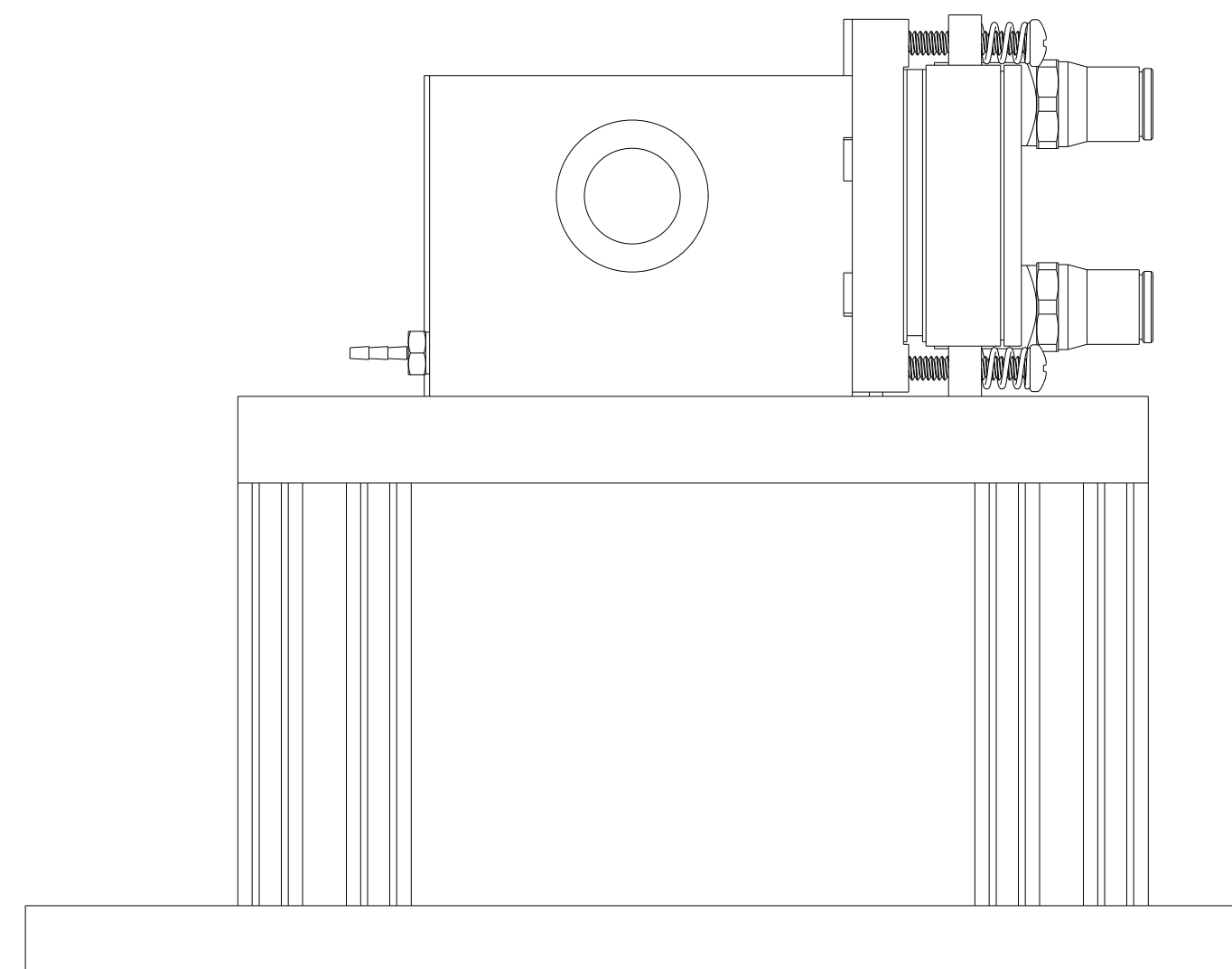
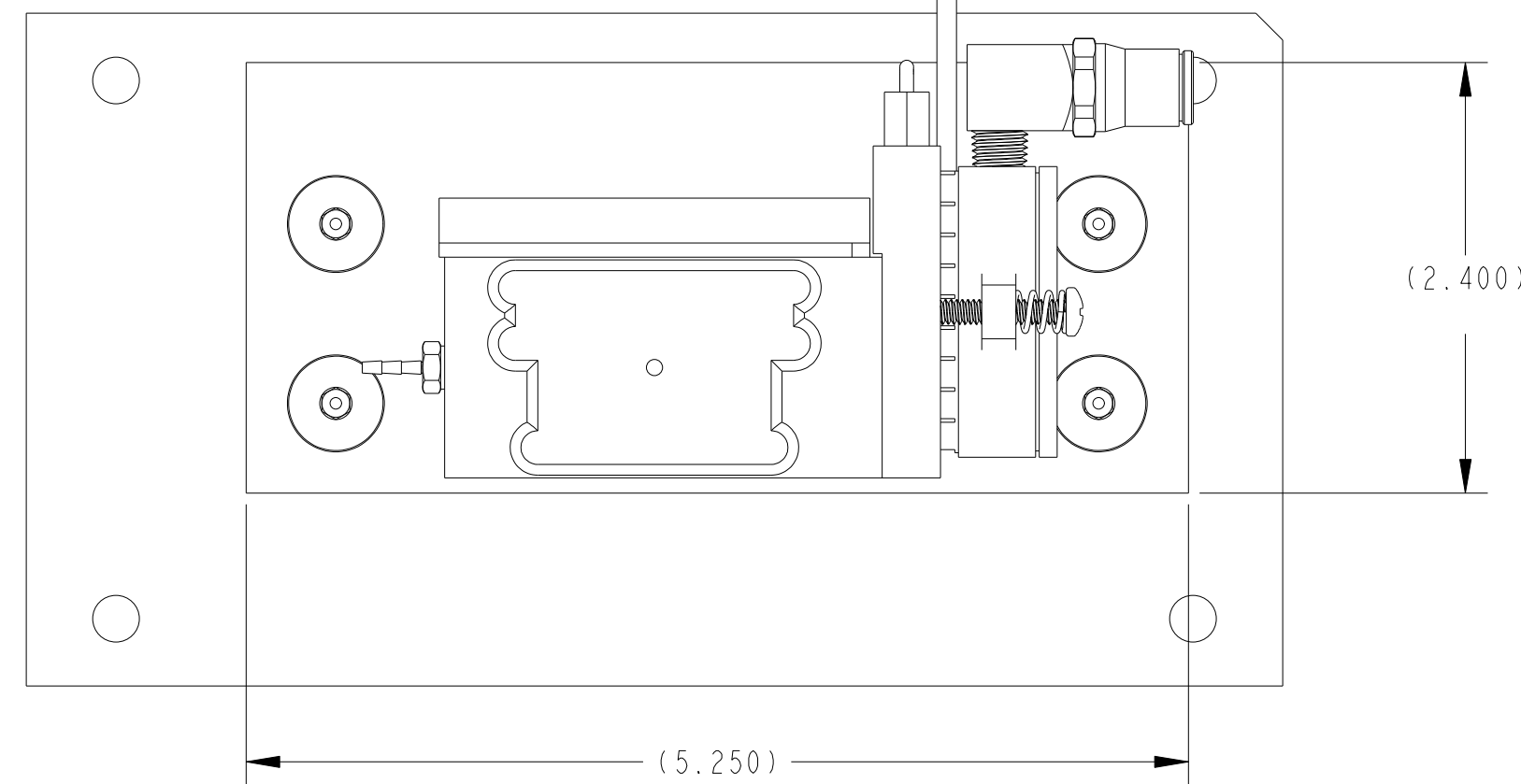
THIS DRAWING IS THE PROPERTY OF OAK RIDGE NATIONAL LABORATORY.

APPROVAL BLOCK

REV	DESCRIPTION OF CHANGE	DES	CHK	ENG	API	AP2	AP3	DATE
0	ORIGINAL ISSUE	JW						03/2023

NOTES:

- 1 SUPPLIED BY ORNL
- 2 MCMASTER-CARR SUPPLY CO.
ATLANTA, GA 30336-2853
PH (562) 463-4277
WWW.MCMASTER.COM



EXPLODED
REFERENCE VIEW
SCALE 1:1

STAINLESS STEEL 18-18	SCREW, 1/4-20 X 7/8" FLAT HEAD SCT CAP	92210A541	4	20	2
18-8 STAINLESS STEEL ASME B18.3, ASTM F879	FHSCS, 1/4- 20 UNC-3A X 0.75" LG	92210A540	4	19	
AL 6061-T6 (A96061) ---	SANS TI CELL TEC SAMPLEHOLDER MOUNT PLATE	CG2-40-M8U-79CG-A10042	1	18	2
AL 6105-T5 1020 SERIES EXTRUSION	8020 1020 EXTRUSION ENDS TAPPED	8020.1020-2-438-TAPPED	2	17	
YELLOW BRASS (C27200) ---	Push-to-Connect Tube Fitting	5523K15	2	16	2
YELLOW BRASS (C27200) ---	Brass Pipe Fitting	50785K532	2	15	
SS18-8 MCMASTER	#6-32 X 1" PAN HEAD SCREW	91772A153	2	14	2
ZINC PLATED MUSIC WIRE MCMASTER	STEEL SPRING	9657K271-COMPRESSED-F10	2	13	
18-8 STAINLESS STEEL ASME B18.3	SHCS, 10-32 UNF-3A X 1/2 LG.	92196A269	4	12	2
ALUMINUM ANODIZED	SHCS 4-40UNC X .3125 LONG	98511A220	2	11	
BRASS ---	#10-32 x 1/8" I.D. TUBE FITTING	5454K61	1	10	1
WWW.OMEGA.COM	RTD PT100 3-WIRE #8-32 X 3/16 THREAD	OMEGA_RTD-850_REP-F10	1	9	
BORON NITRIDE ---	BORON NITRIDE MASK	CG3-40-M8U-79CG-A10002	1	8	1
CADMIUM ---	CADMIUM MASK	CG03-04-M8U-79HB-A10024	1	7	
ULTEM MAKE FROM MCMASTER 7612K53	CG-2 TI CELL SAMPLEHOLDER BASE	CG2-40-M8U-79CG-A10043	1	6	1
BRAZED COPPER CUSTOM THERMOELECTRIC	BRAZED HEAT EXCHANGER ASSEMBLY	WBA-162-055-CU-01	1	5	
CERAMIC AND Bi2Te3 WWW.CUSTOMTHERMOELECTRIC.COM	THERMOELECTRIC COOLER	12711-9L31-05CQ-S	1	4	2
18-8 STNL STL	SHCS 6-32 X 7/16 LG.	92196A147	2	3	
CU 101 ASTM B152	TEC ADAPTER PLATE	CG3-40-M8U-79CG-A10004	1	2	1
AL 6061 ASTM B209	TI CELL SAMPLE HOLDER BLOCK	CG03-04-M8U-79HB-A10005	1	1	
MATERIAL SPECIFICATION	DESCRIPTION	PART NUMBER	QTY	FIND NO.	



**SANS SAMPLE ENVIRONMENT
 SANS ROBOT TI CELL SAMPLECHANGER
 SAMPLE HOLDER 50 WATT ASSEMBLY**

UNITS: INCHES	
DEFAULT TOLERANCES	
X.XX	±.01
X.XXX	±.005
ANGULAR	±.5°
BREAK ALL SHARP EDGES EXCEPT AS NOTED: .060 MAX	
SURFACE ROUGHNESS: 125 UNO.	
DRAFTING STD: ASME Y14.100 D & T: ASME Y14.5 WELD SYMBOLS: AWS A2.4	
THIRD ANGLE PROJECTION	

SIZE	SCALE	WEIGHT	SHEET
D	1:1	3.12 LB	1 of 1

DRAWING NUMBER	REV
CG2-40-M8U-79CG-A10041	0