



Refrigerated and Shaker Constant Temperature Waterbaths

Models: SWB1122 RWB3220 RSWB3222 (WLF)

Installation and Operation Manual



Table of Contents

Introduction	1
Safety Considerations	1
Installation	2
Start Up	4
Operation — UT150	6
Communication Option	8
Electric Water Leveler	10
Shaker Operation	10
Maintenance	11
Replacement Parts	13
Diagrams	15
Boiling Point Table	16
Warranty	17

Table of Contents

1	Introduction	1
1.1	Features and Benefits	1
1.2	Specifications	1
2	Safety Considerations	2
3	Installation	2
3.1	Unpacking	2
3.2	Location	2
3.3	Wiring	3
3.4	RWB3220 Series with Separate Chiller Unit	3
3.5	Optional Covers	3
4	Start Up	4
4.1	Setting the Temperature	4
4.2	Setting the Overtemperature Alarm	5
5	Operation — UT150 Controller	6
5.1	Changing the Setpoint	6
5.2	Changing Between Celsius and Fahrenheit	6
5.3	Setting the Ramp to Setpoint Rate	6
5.4	Auto Tuning the Controller	7
6	Communication Option	8
6.1	Cable Installation	8
6.2	UT150 Communications Setup Parameters	8
6.3	Software Installation	8
6.4	Communications Test	9
6.5	Ordering SpecView	9
6.6	Troubleshooting	9
6.7	Decimal Point Adjustment	9
6.8	Addresses for Multiple Controllers	9
7	Electric Water Leveler	10
7.1	Theory of Operation	10
7.2	Connecting the Leveler	10
7.3	Operating the Leveler	10
7.4	Adjusting the Water Level	10
8	Shaker Operation	10
8.1	Varying the Shaker Stroke	10
8.2	Operating the Shaker	10
8.3	Preparing the Flask Trays	10

9	Maintenance	11
9.1	Cleaning the Waterbath	11
9.2	Oiling the Motor	11
9.3	Inspecting the Condenser RWB322x Series	12
9.4	Repairing the Refrigeration System RWB322x Model	12
10	Replacement Parts	13
11	Chiller Circuit Diagram	14
12	Boiling Point Table	16
13	Warranty	17
13.1	Domestic Warranty (United States and Canada)	17
13.2	International Warranty (excluding Canada) 12 Months Parts Warranty	17

1 Introduction

Lindberg/Blue M Constant Temperature Waterbaths are capable of automatically controlling temperature within close tolerances. The RWB3220 series offer refrigeration in addition to heating for constant temperature control down to 0°C (32°F). The SWB1122 series with its built-in shaker unit has a fully adjustable agitation frequency. The RSWB3220 series are refrigerated shaker waterbaths.

1.1 Features and Benefits

- Digital instrumentation for precise temperature setpoint and display.
- Microprocessor automatically optimizes control parameters during waterbath operation.
- Main power ON/OFF switch on control panel.
- Type 304 polished stainless steel bath provides long life and low maintenance.
- Independent Overtemperature Limit Switch interrupts power to heater, manually reset.
- All standard Lindberg/Blue M Constant Temperature waterbaths are shipped electrically complete and ready for operation.

1.2 Specifications

Table 1. Lindberg/Blue M Waterbaths

Model	Dimensions in. (cm)		Temperature Range ^a	Approximate Capacity gallons (liters)	Maximum Heater Watts	Voltage
	Tank Size L x W x D	Overall L x W x H				
Constant Temperature Refrigerated and Shaker						
RWB3220A RWB3220WLFA RSWB3222A RSWB3222WLFA	18 x 12 x 7.5 (45 x 30 x 19)	29 x 14 x 12.5 (74 x 36 x 32)	5°C above ambient to 100°C	7.0 (26.5)	1400	120 VAC 60 Hz only, single phase
SWB1122A SWB1122WLFA						120 VAC 50/60 Hz, single phase
SWB1122C SWB1122WLFC						208/240 VAC 50/60 Hz, single phase
Chiller	—	—	—	—	—	120 VAC 60 Hz only, single phase

^a -Waterbaths will operate up to 100°C at sea level.

-Operation above +60°C (+140°F) requires a dust cover or gable cover.

-To maintain temperature stability, a stainless steel gabled cover is recommended for operation above 75°C. See Section 3.5 on page 3.

2 Safety Considerations



WARNING! Do not modify or change system components. Replacement parts must be O.E.M. exact replacement equipment. Modification or use of the equipment in a manner other than expressly intended may cause death or serious injury. This includes use of user-supplied components and materials not specifically designed for the waterbath. Reconfiguring the controller may cause death or serious injury.

Lindberg/Blue M shall not be liable for any damages, including incidental and/or consequential damages, regardless of the legal theory asserted, including negligence and/or strict liability.

Before using, user shall determine the suitability and integrity of the product for the intended use and that the unit has not been altered in any way. User assumes all risk and liability whatsoever therewith.



WARNING! This unit is not intended for use in processing hazardous work loads. Fatal injuries and property damage can result from processing combustible volatile fluids or materials which emit explosive vapors.



CAUTION! Connect the waterbath to the correct power source. Incorrect voltage can result in severe damage to the waterbath.



CAUTION! Do not connect the neutral side of the 120 volt line to unit for grounding purposes.

In cases where the above information and local electrical codes conflict, consult your local authority. Do not connect the unit to overloaded power lines. Lower voltage to the unit will decrease power to the heating element.



CAUTION! Before turning on the main switch and to prevent possible heating element damage, fill bath with distilled or demineralized water. Do not use de-ionized water, which can cause corrosion. The use of ordinary tap water will cause the formation of mineral deposits which will impair performance of the bath without proper maintenance.



CAUTION! Check bath periodically to make certain water has not evaporated to an unsafe level. The bath should have no less than 5 inches of water.



CAUTION! This product contains fiberglass wool or other refractories which can result in the following:

- May be irritating to skin, eyes, and respiratory tract.
- May be harmful if inhaled.
- Possible cancer hazard based on tests with laboratory animals. Animal studies to date are inconclusive. No human exposure studies with this product have been reported.



WARNING! Before maintaining this equipment, read the applicable Warning Sheet at the back of this manual.



WARNING! When installing, maintaining, or removing the refractory insulation, the following precautions will minimize airborne dust and fiber:

- Keep personnel not involved in the installation out of the area.
- Use a good vacuum to clean area and equipment. Do not use compressed air.
- Use NIOSH high efficiency respirator (3M #8710 or equivalent).
- Wear long sleeve clothing, gloves, hat, and eye protection to minimize skin and eye contact. Do not wear contact lenses.
- Thoroughly wash self after work is complete.
- Launder work clothing separate from other clothes and thoroughly clean laundering equipment after use. If clothing contains a large amount of dust and/or fiber, dispose of rather than cleaning.
- Promptly place used fiberglass parts and dust in plastic bags and dispose of properly.

3 Installation

3.1 Unpacking

Carefully unpack and inspect the unit and all accessories for damage. If you find any damage, keep the packing materials and immediately report the damage to the carrier. We will assist you with your claim, if requested. Do not return goods to Lindberg/Blue M without written authorization. When submitting a claim for shipping damage, request that the carrier inspect the shipping container and equipment.

Do not exceed the electrical and temperature ratings printed on the dataplate of the waterbath.



CAUTION! Improper operation of the waterbath could result in dangerous conditions. To preclude hazard and minimize risk, follow all instructions and operate within design limits noted on the dataplate.

3.2 Location

All standard Lindberg/Blue M Constant Temperature Waterbaths are shipped electrically complete. Positioning and connecting proper electrical service are the only requirements for placing the bath into operation.

To maximize its capabilities, do not locate in an area where the bath will be subjected to extremely wide ambient temperature variations: near outside windows, entrances, building heating and/or air conditioning vents, etc.

3.3 Wiring



WARNING! Improper operation of the waterbath could result in dangerous conditions. To preclude hazard and minimize risk, follow all instructions and operate within design limits noted on the dataplate.



CAUTION! Connect the waterbath to the correct power source. Incorrect voltage can result in severe damage to the waterbath.



WARNING! Do not connect the neutral side of the 120 volt line to the unit for grounding purposes. Do not connect the waterbath to overloaded power lines.

For detailed wiring information, refer to the wiring diagrams at the end of this manual.

3.3.1 120 VAC Operation (with Chiller Unit)

The SWB1122A and RSWB3222A (with chiller unit) models (including models with WLF {water level feeder} suffix) operate on 120 VAC, 50/60 Hz, single phase. Each waterbath includes a 120 VAC grounded plug and cord set.

Check the dataplate on the bath's left side to verify the current and voltage requirements. Fuse protection should not exceed 125% of the bath's rating.

Make sure the electrical outlet is grounded. A grounding connection is very important to permit proper functioning of the digital instrumentation supplied in the control system. Consult the National Electrical Code and applicable local codes for proper grounding technique to reduce EMI and RFI for electronic gear.

Remove all packing materials from inside the bath.

3.3.2 240 VAC Operation

The SWB1122C models (including models with WLF {water level feeder} suffix) operate on 208/240 VAC, 50/60 Hz, single phase. Each waterbath includes a 240 VAC grounded plug and cord set. The units are completely prewired and ready for operation. Chiller models with suffix NY or CY operate at 50Hz.

Check the dataplate on the bath's right side to verify the current and voltage requirements. Fuse protection should not exceed 125% of the bath's rating.

Make sure the electrical outlet is grounded. A grounding connection is very important to permit proper functioning of the digital instrumentation supplied in the control system. Consult the National Electrical Code and applicable local codes for proper grounding technique to reduce EMI and RFI for electronic gear.

Remove all packing materials from inside the bath.

3.3.3 208 VAC Operation

A bath wired for 240 VAC operation can also operate on 208 VAC. However, recovery times will be longer.

3.4 RWB3220 Series with Separate Chiller Unit

The RWB3220A and RWB3220WLPA include a separate chiller unit which enables the bath to operate at temperatures from below 30°C (86°F) to 0°C (32°F).

These separate chiller units come with a 120 VAC grounded plug and cord set. Please note that the chiller unit is only designed to operate on 60 Hz. The units are completely prewired and ready for operation.



CAUTION! When operating the waterbath and chiller unit on 120VAC, be sure to use a separate, dedicated power circuit for each unit.



CAUTION! Do not operate the chiller unit at bath temperatures above 30°C (86°F). Severe damage to the compressor may result if the chiller is left on above 30°C (86°F).



CAUTION! Use a solution of 60% ethylene glycol/40% water for bath temperatures below 10°C (50°F) to prevent formation of ice in the circulation system.

Place the bath and chiller unit close enough to each other so that the two, five-foot hose lengths packed with the unit can connect the two units together at the pair of hose connections at the rear of each unit. Connect one hose from bath connect "A" to chiller connect "A". Connect the second hose from bath connect "B" to chiller connect "B". Fasten hoses to all four connections with the four worm gear clamps supplied with the unit.

Note: *On initial start up or after draining and refilling the bath, it may be necessary to cycle the bath section Off and On a few times to remove any air left in the circulation system and to prime the pump.*

3.5 Optional Covers

Covers are optional accessories available with all models and sizes.

There are three types of covers:

1. A flat stainless steel dust cover
2. A semi-transparent Lexan gable cover
3. A stainless steel gable cover

For operation above 60°C, you should always use a cover to maintain temperature stability. For operation above 75°C you should use option 3, the stainless steel gable cover.

All covers fit directly on top of the unit. Refer to the replacement parts tables (Section 10 on page 13) to determine which covers are available for your model.

4 Start Up



CAUTION! Do not use liquids other than distilled or demineralized water. Never load any corrosive or flammable material into the bath. Bath must be operated with water. Failure to load bath with 5 inches of water will shorten the life of the heater.



CAUTION! To prevent burns, avoid contact with water and/or workload when temperature exceeds 40°C (104°F).

To start up the waterbath, complete the following steps:

1. Make sure that the drain valve is closed.
2. Check the water level. Allow at least 5 inches of water as a minimum. Check for any leaks below.
3. Turn on main power switch. Upon power initialization, all LED's and displays will momentarily be illuminated. Upon completion of the controller's initial diagnostics, the pump will start and the heating element is enabled. Within several seconds, the upper display will show the current sensor temperature.
4. Verify operation of the circulation pump by observing the agitation pattern in the water. If the pump fails, turn off the main power switch for 5 to 10 seconds and then turn back on. This step may need to be repeated a few times in order to prime the pump.
5. Set the temperature setpoint following the instructions in Section 4.1.
6. If your waterbath has a chiller, turn on the chiller power switch for operation below 30°C (86°F). The chiller operates at full cooling capacity when the unit is enabled with the heating element adding heat necessary to maintain setpoint.



CAUTION! Severe damage to the compressor can result if the chiller operates above 30°C (86°F).

Use a solution of 60% ethylene glycol/40% water for operation below +10°C (+50°F) to prevent formation of ice in the circulation system.

4.1 Setting the Temperature

The Temperature Controller senses the process temperature of the bath and supplies the heat necessary to achieve the desired setpoint. Refer to Figure 1.

Refer to Table 2 on page 5 for a list of LED displays and keypad functions.



CAUTION! Do not adjust the setpoint high limit setting above 105°C (221°F).

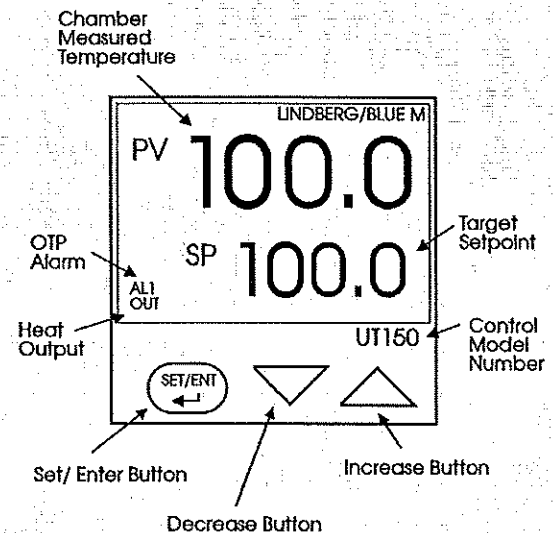


Figure 1. Controller Panel




To set the temperature to the desired setpoint, complete the following steps:

1. Select the alarm setpoint (following instructions in Section 4.2).
2. Press Δ or ∇ until the desired setpoint is indicated on the bottom line of the display.
3. Press and release **SET/ENT** to register the new setpoint.
4. If the unit fails to heat up to setpoint, use an insulated tool to press the overtemperature reset mechanism on the left side at the rear of the unit. It is a green lever accessed through a small hole beside the switch mount holes. If the unit still fails to operate, call Service.

Table 2. UT150 Parameter Functions

Parameter Code	Factory Set Value	Description
<i>Operating parameters (access by holding the SET/ENT key)</i>		
A1	50.0	Alarm setpoint (°C; 122°F)
CtL	Pid	Control mode
At	oFF	Auto tuning
P	4.0	Proportional band (°C; °F=7.2)
I	180	Integral time
d	30	Derivative time
Ct	1	Heat cycle time
FL	2	Sensor filter
bS	0.0	PV bias (offset)
LoC	0	Key lock
<i>Setup parameters (access by setting LoC=-1)</i>		
In	17	Input type (J thermocouple in °C; °F=47)
SPH	100	High setpoint limit °C; °F=212
SPL	0.0	Low setpoint limit °C; °F=32
Upr	oFF	Up ramp rate (degrees C or F / minute)
dnr	oFF	Down ramp rate (degrees C or F / minute)
AL 1	9	Alarm 1 type
AL 2	oFF	Alarm 2 type
HY 1	0.5	Alarm 1 hysteresis (°F=1)
HY 2	0.0	Alarm 2 hysteresis
SC	on	Super Control
dr	0	Direct/Reverse action

Table 3. Pushbutton Keypad

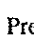
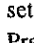
Button	Function
	Pressing and holding the SET/ENT for three seconds advances the display to the Operation Parameters Menu. While in the Operation Parameters Menu, use SET/ENT to move from one parameter to the next, and to register changes you have made in setpoint and parameter values. Holding SET/ENT for three seconds exits either the Operation or Setup Parameters menu.
	Use the Up Arrow button to increase the temperature setpoint display and to change parameter values in the Operation and Setup Parameter menus. Whenever you change the value of a setpoint or parameter, the decimal point flashes to remind you to register the changed value with SET/ENT.
	Use the Down Arrow button to decrease the temperature setpoint display and to change parameter values in the Operation and Setup Parameter menus. Whenever you change the value of a setpoint or parameter, the decimal point flashes to remind you to register the changed value with SET/ENT.

Refer to Section 5.2 on page 6 for procedures to change to degrees Fahrenheit, or refer to the controller manual.

4.2 Setting the Overtemperature Alarm

To set the alarm on the temperature controller (typically 5°C above the desired main temperature setpoint), complete the following steps:

The high limit alarm system with the temperature controller disables the heater output. To set the alarm on the temperature controller (typically 5°C above the desired main temperature setpoint), complete the following steps:

1. Press and hold SET/ENT for 3 seconds, until A1 is displayed on the upper line.
2. Press  or  until the desired overtemperature limit setpoint shows on the bottom line of the display.
3. Press SET/ENT to register the new overtemperature alarm setpoint.
4. Press and hold SET/ENT for 3 seconds to return to the normal display.

Note: Be sure to set the A1 value above room temperature before you turn off the unit.

5 Operation — UT150 Controller

The waterbath temperature controller is configured and tuned at the factory to function well for most applications. Occasionally, the user may want to configure the temperature controller differently to suit their own working environment or process.

Note: *Before attempting to reconfigure the controller, it is strongly recommended that the user reads this chapter and the controller manual. Reconfiguring the controller can change the unit characteristics and design parameters, at best hampering performance and at worst making the equipment dangerous to use.*

This chapter provides brief instructions on how to perform some configuration changes such as changing the temperature display units. Detailed instruction on configuring the temperature controller are found in the controller manufacturer's manual.

5.1 Changing the Setpoint

To change the temperature setpoint, complete the following steps:

1. Press \triangle or ∇ until the desired setpoint is indicated on the bottom line of the display.
2. Press **SET/ENT** to register the new setpoint.

Note: *If the bath temperature is not changing in response to a setpoint, use an insulated tool to press the overtemperature reset mechanism on the left side at the rear of the unit. It is a green lever accessed through a small hole beside the switch mount holes. The Overtemperature Limit Switch is an independent temperature control switch, factory set for 105°C maximum. If tripped, it disconnects power to the heater and there is no audible or visual indicator. This switch must be manually reset.*

5.2 Changing Between Celsius and Fahrenheit

The controller is factory-set to operate with degrees Celsius. To change the display modes and parameter settings to the Fahrenheit scale, you will need to change the Input Type parameter In and also the values of various scale-dependent parameters. If during this procedure the buttons are inactive for more than two minutes, the controller will return to the standard display.

To change from Celsius to Fahrenheit:

1. With the controller operating, access the Operating Parameters menu by pressing and holding **SET/ENT** for 3 seconds.
2. Press and release **SET/ENT** repeatedly until the upper display reads LoC.
3. Press ∇ until the displayed value of LoC is -1; then press **SET/ENT** to access the Setup Parameters menu (refer to Table 2 on page 5).
4. The first setup parameter displayed is Input Type (In). Press to change its value from 17 to 47. After making this

adjustment (and all following parameter adjustments) be sure to press and release **SET/ENT** again to register the change.

5. Press and release **SET/ENT** to advance to the SPH parameter and change its value to 212.
6. Press and release **SET/ENT** to advance to the SPL parameter and change its value to 32.
7. Press and release **SET/ENT** to advance to the HY1 parameter and change its value to 1.
8. Press and hold **SET/ENT** for 3 seconds to exit the Setup Parameters Menu.
9. Press and hold **SET/ENT** for 3 seconds to enter the Operating Parameters Menu and display the A1 parameter.
10. Use the \triangle button to set the A1 parameter to the desired overtemperature limit in °F.
11. Press and release **SET/ENT** to advance to the P parameter and change its value to 7.2.
12. Press and hold **SET/ENT** for 3 seconds to exit the Operating Parameters Menu.
13. The new temperature units are now effective. Follow the instructions in Section 5.2 to reset the temperature setpoint in °F.
14. Apply the °F label over the °C label on the control panel.

5.3 Setting the Ramp to Setpoint Rate

The Ramp Rate feature allows the chamber to be heated or cooled at any rate slower than the maximum capability of the unit. To fine tune ramp rates, you may need to test using loads with similar mass and thermal properties to loads you intend to use in waterbath applications.

To set the ramp to setpoint time, complete the following steps. If during this procedure the buttons are inactive for more than two minutes, the controller will return to the standard display.

1. With the controller operating, press and hold **SET/ENT** for 3 seconds to enter the Operating Parameters menu.
2. Press and release **SET/ENT** until the LoC parameter is on the upper display.
3. Press the down arrow button to show '-1', and press **SET/ENT** once to enter the Setup Parameters menu.
4. Press and release **SET/ENT** until the Upr parameter is on the upper display.
5. Press the arrow buttons to select the new Up Ramp Rate value, in °C per minute or °F per minute, or 'oFF'. Press and release **SET/ENT** to register the value change.
6. Press and release **SET/ENT** until the dnr parameter is on the upper display.
7. Press the arrow buttons to select the new Down Ramp Rate value, in °C per minute or °F per minute, or 'oFF'. Press and release **SET/ENT** to register the value change.
8. Press and hold **SET/ENT** for three seconds to exit the Setup Parameters menu.
9. The new Ramp Rates are now effective.
10. Follow the instructions in Section 5.1 to reset the temperature setpoint.

Note: *The ramp rate begins when the SET/ENT button is pressed after the target setpoint is selected. The setpoint display on the controller will show the changing setpoint at the selected ramp rate.*

To view the target setpoint during the ramp rate, press and release an arrow button. The lower display will show the setpoint next to the selected target setpoint. Return to the ramping setpoint display by pressing and releasing the other arrow button.

5.4 Auto Tuning the Controller

Factory settings are provided for general purposes, but your process can be enhanced through the auto tune feature. For a given process temperature and product load, auto tuning maximizes the performance of the chamber by operating with the quickest response and minimal temperature overshoot.

To auto tune the controller.

1. Load the chamber with materials that have the same mass and thermal characteristics as a typical product load.
2. Operate the chamber to the process temperature.
3. Press and hold **SET/ENT** for 3 seconds to display the A1 parameter of the Operating Parameter menu.
4. Press and release **SET/ENT** to show the At parameter.
5. Press and release the arrow buttons to show on in the lower display.
6. Press **SET/ENT** once to enter the auto tune mode and exit the Operating Parameters menu.

The controller will cycle three times through a heating and cooling pattern, measuring the characteristics of the load and chamber temperature controls. During the auto tuning, At will alternately flash with the measured temperature (PV) to indicate that the auto tuning is in progress. The length of time for the auto tune varies with the load, chamber size and temperature selected.

The auto tune is completed when the regular display of the measured temperature is shown. The chamber should now operate to the process temperature with the given product load, with the quickest response and minimal temperature overshoot.

If the process temperature or load changes significantly, another auto tune session may be necessary to optimize the chamber performance.

6 Communication Option

The Communication Option enables digital communication between the UT150 controller and a PC. It is a factory-installed temperature controller and cable assembly using an RS-485 connection through a DB9 cable.

This option is supplied with the necessary cable and diagnostic software to set up and check the connections between the unit and the PC. Follow the steps below to make the cable connections and to check the data transfer. If you have purchased the 'SpecView Plus Communication Software' with the copy protection key, refer to the SpecView instructions in parallel with this setup outline.

6.1 Cable Installation

1. To install the 25-foot external cable, disconnect the electrical power from both the unit and PC.
2. Connect the cable end with a black housing to the 9-pin port on the rear of the Lindberg/Blue M unit.
3. Connect the other cable end with the RS-232/485 Converter to the COM 1 Port (or other COM port of your choice) on the rear of the PC.
4. If you have purchased the SpecView Plus Communication Software with the copy protection key, install this key on your parallel port. It may be necessary to locate the key between a cable and the parallel port.
5. Apply electrical power to the unit and the PC.

6.2 UT150 Communications Setup Parameters

Table 4 shows the default values for UT150 Communications Setup Parameters. To access these parameters:

1. Hold the **SET/ENT** button for three seconds to display the Operating Parameters. Press and release the **SET/ENT** button to display the 'LoC' parameter. Press the down arrow to show '-1' in the lower display and press **SET/ENT** to acknowledge and enter the Setup Parameters menu.
2. Press and release the **SET/ENT** button to access the six parameters specific to the communications option.

Table 4. UT150 Communications Parameters

Parameter Code	Factory Set Value	Description
Communications Setup Parameters		
PSL	0	Protocol selection
Adr	1	Controller address
bPs	9600	Baud rate
Pr 1	EVN	Parity (even)
StP	1	Stop bit
dLn	8	Data length

6.3 Software Installation

1. Load the SpecView software onto the PC hard drive, using the disks provided.
2. Run the software. (If you have purchased the SpecView Plus Communication Software with the copy protection key, skip step 3.)
3. If you do not have a copy protection key, a 'SpecView' window opens with the message, "Problem with Dongle: 'Dongle' (Copy Protection Key) not detected on parallel port." Click the OK button to acknowledge the message. Without the copy protection key, this diagnostic/sampler software has a 20-minute time limit on each run. If the message 'demo version of SpecView has stopped communicating - values are frozen' appears before the communication diagnostics are finished, close the software and reopen it for another 20-minute segment.
4. When the 'Configurations Found..' window opens, click on the "Test Comms for New Config." Button.
5. The 'Input Required..' window then opens. Enter a new Config. Name (up to 8 characters with no spaces) or accept the 'DEFAULT' name. Click OK.
6. The 'Ports and Protocol' window opens next. On the 'COM1:' line (if the COM1 port is the serial port used to connect to the controller) select the pull-down menu from Protocol column. Highlight "*Yokogawa 100" or "100 Series" for controller model UT150.
7. Select the pull-down menu from the Baud Rate column. Highlight "9600". Click on the 'Start Scan' button.
8. The SpecView program scans all 99 possible controller addresses and places a representative 'instrument view' of the temperature controller on the PC screen for each controller found connected to the PC. The factory-set addresses are 1, 2, 3, etc., depending on the number of controllers with communications in a single waterbath. Additional units with communications will require the controller's address to be changed. See Section 6.8 on page 9 for detailed instructions on configuring multiple controllers.
9. After the instrument scan is completed, a SpecView window appears with the message, "All channels scanned. Press OK to continue, or cancel to rescan". Press OK if all of the connected controllers are properly displayed. If no controls are displayed, check the "troubleshooting" section at the end of this setup.
10. To begin communication between the PC and the controller, click on the 'Enter Runtime' button (an icon of a running figurine). This action will ask for a file name to save this display: use the given default or select another.
11. The "SpecView" window will be displayed, showing the current PV (process variable) and SP (set point). If the SpecView display of the controller shows X's, the communications connection or power to the control may have been interrupted.
12. On some controllers, the decimal point position has been changed from the Yokogawa factory default. This will make the SpecView display differ from the controller. If this is the case, follow the instructions in Section 6.7 on page 9.

6.4 Communications Test

When you have established a working communications link between the controller and PC, you should check the link by varying the target set point function:

1. Click on the arrows of the controller(s) shown in the SpecView window. This will open a keypad window where the set point can be changed.
2. Select a temperature set point a few degrees from the current temperature and press the 'send' button. Verify that the controller display shows the setpoint change.
3. Select the original temperature set point through the keypad on the controller and observe the change on the PC display.
4. The controller parameters may be viewed through SpecView by clicking on the 'PAR' button. A window opens that lists the controller parameters. Each parameter can be changed by selecting it and clicking on the 'Alter' button. Select the 'Close' button. Make no changes at this time.

This concludes the initial software diagnostics.

6.5 Ordering SpecView

If this software program is what you need as a tool to organize and operate the digital communication on Lindberg/Blue M equipment, contact Lindberg/Blue M sales, SpecView directly at sales@specview.com, or on their Internet site at www.specview.com, and request "SpecView Plus".

6.6 Troubleshooting

If your connection is not working properly, check the following conditions:

- A. Verify complete and tight cable connections between the Lindberg/Blue M unit and the PC.
- B. Verify that power has been supplied to the unit and temperature controller before starting the software program.
- C. Verify the configuration values in the controller, listed in the Table 4 on page 8.
- D. Verify the values in the 'Ports & Protocols' window (see step 6 in Section 6.3).

6.7 Decimal Point Adjustment

If the decimal point on the PC display of the controller does not match the controller display, you can make an adjustment to correct this:

1. From the Configuration Mode (available through the 'file' drop down while in the Runtime Mode), select the 'Variables List' icon, represented by a page with lines on it.
2. Select the controller model number and select 'Properties' button. The 'Add/Rename Instrument' box appears.
3. In the Address window, highlight the middle digit (usually a 1), and change to '0' (zero).
4. Click the 'Rename Only' button. Close the 'Variables' box (click on 'X' in corner of smaller box).
5. Select the 'Enter Runtime' icon to see the results of the change.

6.8 Addresses for Multiple Controllers

When more than one controller has the same communication address, alternative addresses need to be set up in the individual controllers. Addresses 1 through 99 can be selected on the same communication link to each PC COM port.

1. Determine a unique address for each temperature controller equipped with the communications option.
2. On the UT150 controller, access the Operating Parameters menu by pressing and holding **SET/ENT** for 3 seconds.
3. Press and release **SET/ENT** repeatedly until the upper display reads LoC.
4. Press ∇ until the displayed value of LoC is -1; then press **SET/ENT** to access the Setup Parameters menu.
5. Press and release the **SET/ENT** button to access the six parameters specific to the communications option. Compare the displayed values to those in Table 4 on page 8. Make adjustments to the Adr parameter as needed.
6. Press and hold **SET/ENT** for 3 seconds to exit the Setup Parameters Menu.

7 Electric Water Leveler

If “WLF” is part of your model number, your model is equipped with an electric water leveler. This device is designed to automatically replenish the bath’s water after evaporation or cleaning.

7.1 Theory of Operation

A 3” diameter reservoir is installed in the rear component section of the waterbath. The reservoir is connected to the main bath tank with a tank fitting and flexible tube. The water in the small reservoir will seek the same level as the main bath tank.

A float switch in the small reservoir senses the water level. When the water level is below the switch setting, a solenoid valve is energized, supplying water to the waterbath. An overflow tube in the small reservoir helps prevent the bath from overflowing in the unlikely event that the solenoid valve fails to fully close.

A second float switch in the reservoir is used for protection against low water level. When the water supply has been shut off, the pump and heater will be disabled when the water level reaches the low switch setting.

7.2 Connecting the Leveler

To connect the leveler:

1. Connect the water supply to the 1/4” compression bulkhead fitting. Viewed from the front, this fitting is located on the back right-hand side. The water supply line should be a copper or stainless steel tube with a 1/4” outside diameter. The recommended water supply pressure is between 5 psig and 60 psig.
2. Connect a 1/2” inside diameter tube to the overflow fitting and run it to an open drain. This fitting is located below the leveler supply fitting on the back side of the waterbath.

7.3 Operating the Leveler

Once the water supply and drain connections are in place with no leaks, you can turn on the main switch. The waterbath should start filling with water immediately.

It is important to put product in the waterbath before turning it on; also to turn off the waterbath before you remove product. By following these procedures, you can avoid overflows due to placing large loads in an already full bath.

7.4 Adjusting the Water Level

The normal operating water level is controlled by the height of the small reservoir, which is held in place by a 3” diameter stainless steel hose clamp.

To adjust the placement of the reservoir:

1. Disconnect electrical power from the waterbath.
2. Remove the rear cover to gain access to the small reservoir.
3. Loosen the hose clamp and slide the reservoir higher or lower.
4. The waterbath is delivered with the reservoir placed close to the highest setting. If you want a much lower level, you may

have to reposition the hose clamp in a lower slot on the reservoir holding bracket (four slots are provided). It may also be necessary to shorten the flexible tubes that connect the reservoir to the main bath tank and overflow.

8 Shaker Operation

8.1 Varying the Shaker Stroke



WARNING! Disconnect waterbath from main power before attempting any maintenance to waterbath or its controls.

The Shaker Drive System includes the shaker link and shaker cam. To vary the length of the stroke, complete the following steps:

1. Disconnect electrical power from bath.
2. Unscrew and remove the top/rear cover from the back of the bath.
3. Lift up on the ends of the shaker link to remove studs and seal.
4. To shorten the stroke, insert a link stud into a position closer to the shaker cam hub. To lengthen stroke, insert shaker link stud farther from the shaker cam hub. The length of stroke can vary between 7/8 to 1-1/2 in., in 1/16 in. increments.
5. Mount and secure the top/rear cover to the bath. The link seal should be in between the top/rear cover and shaker seal bracket.

8.2 Operating the Shaker

The shaker basket is designed to receive Lindberg/Blue M shaker bath test tube racks or flask trays. Refer to optional accessories following the replacement parts list. This equipment is optional and should be ordered separately.

To operate the shaker, complete the following steps:

1. Turn on the Agitation Power Switch.
2. Adjust the shaker rate dial to the desired agitation speed. The agitation rate is variable from 0 to 200 cycles per minute.

8.3 Preparing the Flask Trays

Two optional flask trays are available. One flask tray (Part No. 118077) holds 35 25 ml flasks or 22 50 ml flasks.

The second tray (Part No. 118078) holds eleven 125 ml flasks, eight 250 ml flasks, six 500 ml flasks, and three 1000 ml flasks.

To prepare the second tray:

1. Press the flask holders and/or test tube rack into the holes in the tray and secure with the supplied nut.
2. Insert the flasks and/or test tubes.
3. Secure the flask tray in the waterbath shaker basket.

9 Maintenance



CAUTION! Maintenance should only be performed by trained personnel.



WARNING! Disconnect waterbath from main power before attempting any maintenance to waterbath or its controls.



CAUTION! This product contains fiberglass wool or other refractories which can result in the following:

- May be irritating to skin, eyes, and respiratory tract.
- May be harmful if inhaled.
- Possible cancer hazard based on tests with laboratory animals. Animal studies to date are inconclusive. No human exposure studies with this product have been reported.



WARNING! Before maintaining this equipment, read the applicable Warning Sheet at the back of this manual.



WARNING! When installing, maintaining, or removing the refractory insulation, the following precautions will minimize airborne dust and fiber:

- Keep personnel not involved in the installation out of the area.
- Use a good vacuum to clean area and equipment. Do not use compressed air.
- Use NIOSH high efficiency respirator (3M #8710 or equivalent).
- Wear long sleeve clothing, gloves, hat, and eye protection to minimize skin and eye contact. Do not wear contact lenses.
- Thoroughly wash self after work is complete.
- Launder work clothing separate from other clothes and thoroughly clean laundering equipment after use. If clothing contains a large amount of dust and/or fiber, dispose of rather than cleaning.
- Promptly place used fiberglass parts and dust in plastic bags and dispose of properly.



CAUTION! Bath water may be hot. Empty the water using the drain valve on the rear of bath if water is greater than 40°C (104°F).

The filter screen should be cleaned at least once a week for optimal circulation and agitation. Remove the filter screen by gently prying it out. Use running water dislodge sediment from the screen and replace the screen in the drain fitting on the bottom of the tank.

For replacement parts specifications, refer to Section 10. For a chiller circuit diagram, refer to Section 11.

9.1 Cleaning the Waterbath

The bath is constructed of Type 304 polished stainless steel chosen to provide long life and low maintenance. The bath should be drained and cleaned at least once a month. To clean the bath, complete the following steps:



WARNING! Turn off all power to the bath before cleaning. Never attempt to clean the bath with the power on. A serious shock hazard exists if the bath is powered during cleaning.

1. Disconnect power to the bath.
2. Empty water from bath using the drain valve located at the rear of the bath.
3. For normal periodic cleaning of the bath, use warm water which contains a small amount of mild soap, such as dishwashing detergent. Apply the soapy water with a sponge or soft cloth.
4. Use another cloth and clean water for rinsing. Thoroughly flush the bath with clean water while the drain valve is open.
5. Dry with a soft towel to prevent streaks.
6. If hard water deposits form, remove them in one of the following ways:
 - Use a high quality scouring compound such as “Bon Ami” that will not mar the surface. Prevent compound from entering the plumbing at the drain screen by minimizing the amount of cleaning compound used.
 - Use one of the commercially available stainless steel cleaning compounds. Use care to prevent the compound from entering plumbing.
 - Use a lime removing product, such as “Lime Away.”
7. Thoroughly rinse bath with the drain valve open.

9.2 Oiling the Motor

Pump life can be maximized by keeping bath water clean, keeping the filter screen clear, and oiling the pump motor once every six months. Only the pump motors installed on 208-230 volt refrigerated waterbaths require oiling; all other pump motors have sealed bearings which do not need oiling. The pump motor name plate information will also reveal if oiling is required.

To oil the motor, complete the following steps:



WARNING! Turn off all power to the bath (and chiller) before oiling the motor. Never attempt to lubricate the pump with the power on. A serious shock hazard exists if the bath is powered during oiling.

1. Disconnect power to the bath (and chiller).



WARNING! Always disconnect power to the bath before control compartment is opened.

2. Remove the top/rear cover of the bath.
3. Observe the arrows on the pump motor nameplate, which indicate the location to oil the upper and lower bearings.
4. Add only 4 or 5 drops of a high quality SAE 20 weight non-detergent oil in each bearing.
5. Mount and secure the top/rear cover to the back of the bath.

9.3 Inspecting the Condenser RWB322x Series

Inspect the air-cooled condenser every 30 days and clean dust and dirt as necessary. To access the air-cooled condenser, complete the following steps:



WARNING! Turn off power to the bath and chiller before cleaning. Never attempt to clean the chiller with the power on. A serious shock hazard exists if the bath and chiller is powered during cleaning.

1. Disconnect power to the bath and the chiller.
2. Remove the screws from lower portion of the left, right, and rear faces of the chiller cover.
3. Loosen the two mounting screws located on the left and right side of the front panel of the chiller. Lift and remove the front cover.
4. Lift the chiller cover up to access the air-cooled condenser.
5. Vacuum the dust and dirt from the fins of the air-cooled condenser, which is located on the rear face of the chiller base.
6. Mount and secure the cover back onto the chiller base.

9.4 Repairing the Refrigeration System RWB322x Model



WARNING! Always disconnect power to the bath and chiller before the control compartment is opened.

If necessary, repairs to the refrigeration system of the chiller may be performed by qualified personnel with standard refrigeration tools and equipment.

10 Replacement Parts

Table 5. Refrigerated and Shaker Waterbath Models

Waterbath Model	SWB1122A SWB1122WLFA	SWB1122C SWB1122WLFC	RWB3220A RWB3220WLFA	RSWB3222A RSWB3222WLFA
Control Relay	302819H02	302819H03	302819H02	302819H02
Fuse, Main Power	E04J-15 (15 AMP)	E04J-10 (10 AMP)	E04J-15 (15 AMP)	E04J-15 (15 AMP)
Fuse, Instrument Power (1Amp)	E04J-1	E04J-1	E04J-1	E04J-1
Heater	38941H02	38941H06	38941H02	38941H02
Main Temperature Control	303115H03	303115H03	303115H03	303115H03
Thermostat, Overtemperature	118319	118319	118319	118319
Circulation Pump	118039	118041	118040	118040
Line Cord	48951H09	48951H03	48951H09	48951H09
RTD	118010	118010	118010	118010
Solid State Relay	102460	102460	102460	102460
Switch, Main Power	118007	118006	118007	118007
Control Relay, Chiller	—	—	302819H02	302819H02
Fuse, Chiller	—	—	E04J-10	E04J-10
Condensing Unit	—	—	60594H41	60594H41
Pressure Switch, High- Pressure Cut-Out	—	—	39139H05	39139H05
Thermostat, Low-Temp Cut-Out	—	—	305264H01	305264H01
Heat Exchanger	—	—	300145H03	300145H03
Valve, Automatic Expansion	—	—	111767	111767
Indicator, Liquid	—	—	R42-01	R42-01
Solenoid Valve	38777H01	38777H02	38777H01	38777H01
Float Switch	E16F-1	E16F-1	E16F-1	E16F-1
Tube, Neoprene	38825H01	38825H01	38825H01	38825H01
Clamp, Nylon Hose	38845H01	38845H01	38845H01	38845H01
Drain Valve	M16-D51	M16-D51	M16-D51	M16-D51
Filter Screen	38867G01	38867G01	38867G01	38867G01
Shelf, Wire Rod	C-5566-Q	C-5566-Q	C-5566-Q	C-5566-Q
Dust Cover	118085	118085	118082	118085
Lexan Gable Cover	118111	118111	118111	118111
Stainless Steel Gable Cover	38576G05	38576G05	38576G02	38576G05
Concentric Ring Cover	118092	118092	118092	118092

Table 6. Optional Accessories for Shaker Waterbaths

Accessory	Part Number
Dust Cover	118085
Lexan Gable Cover	118111
Stainless Steel Gable Cover ^a	38576G05
Concentric Ring Cover	118092
Flask Holders:	
10 ml	M20-C1
25 ml	M20-C2
50 ml	M20-C3
125 ml	M20-C4
250 ml	M20-C5
500 ml	M20-C6
1000 ml	M20-C7
Flask tray: holds 35 25 ml flasks or 22 50 ml flasks	118077
Flask tray: holds 11 125 ml flasks, 8 250 ml flasks, 6 500 ml flasks, or 3 1000 ml flasks	118078
Test Tube Racks: ^b	
13 mm, blue	118465
13 mm, white	118463
13 mm, red	118467
25 mm, blue	118466
25 mm, white	118464
25 mm, red	118468

^a Stainless steel gable cover is strongly recommended for operation above 75°C

^b Total bath capacity is 3 racks. The 13 mm rack has 90 positions; the 25 mm rack has 24 positions.

11 Chiller Circuit Diagram

The foldout on the next page is a chiller circuit diagram with a full list of replacement parts. Note that for 120VAC operation, the chiller unit requires a separate, dedicated circuit.

B 304173 104

REPLACEMENT PARTS LIST ----- WB1110A - 100°C
 WB1120A - 100°C
 *** RWB3220A - 100°C

PART	DESCRIPTION	PART NO.	QTY
HTR	HEATER, 1110 SIZE 0.8 KW, 120V	38941H01	1
HTR	HEATER, 1120 SIZE 1.4 KW, 120V	38941H02	1
IGS	SWITCH, ROCKER DPST GREEN ILLUM	118007	1
INST	CNT, TEMP UT150	30311SH03	1
RTD	RTD 100 OHM 3/16" X 2" LG, 1/4MPT	118010	1
LS	CONTROL, HI-LIMIT, MAN. REST. 150C	118319	1
MTR	PUMP, CENTRIFUGAL 1/100 HP 115V	118039	1
CR	CONTROL RELAY	30281RH02	1
SSR	RELAY S. 40A P. 240V. 3-32 VDC	102460	1
**	TERM STRIP 5PT W/MPR 30 AMP P. 300V	82717H01	1
2 FU	FUSE, BUSSMAN# FNG 1 500V	E04J-1	1
1 FU	FUSE, TYPE FNG. 15 AMP 500V	E04J-15	1
**	FUSE BLOCK, BUSSMAN # 3743	E04G-23	2
**	BARRIER, END, FUSE BLOCK # 3742	E04G-24	1
1 PL	SERVICE CORD 15A/125V	48951H09	1
**	STAINLESS STEEL GABLE COVER (11110)	38576G01	1
**	STAINLESS STEEL GABLE COVER (11120)	38576G02	1
1 PL	SERVICE CORD (20 AMP) 115V	48951H02	1
1 MTR	PUMP, CENTRIFUGAL 1/25HP 115V	118040	1

TEMPERATURE RANGE: 5°C ABOVE
 AMBIENT TO +100°C AT SEA LEVEL.

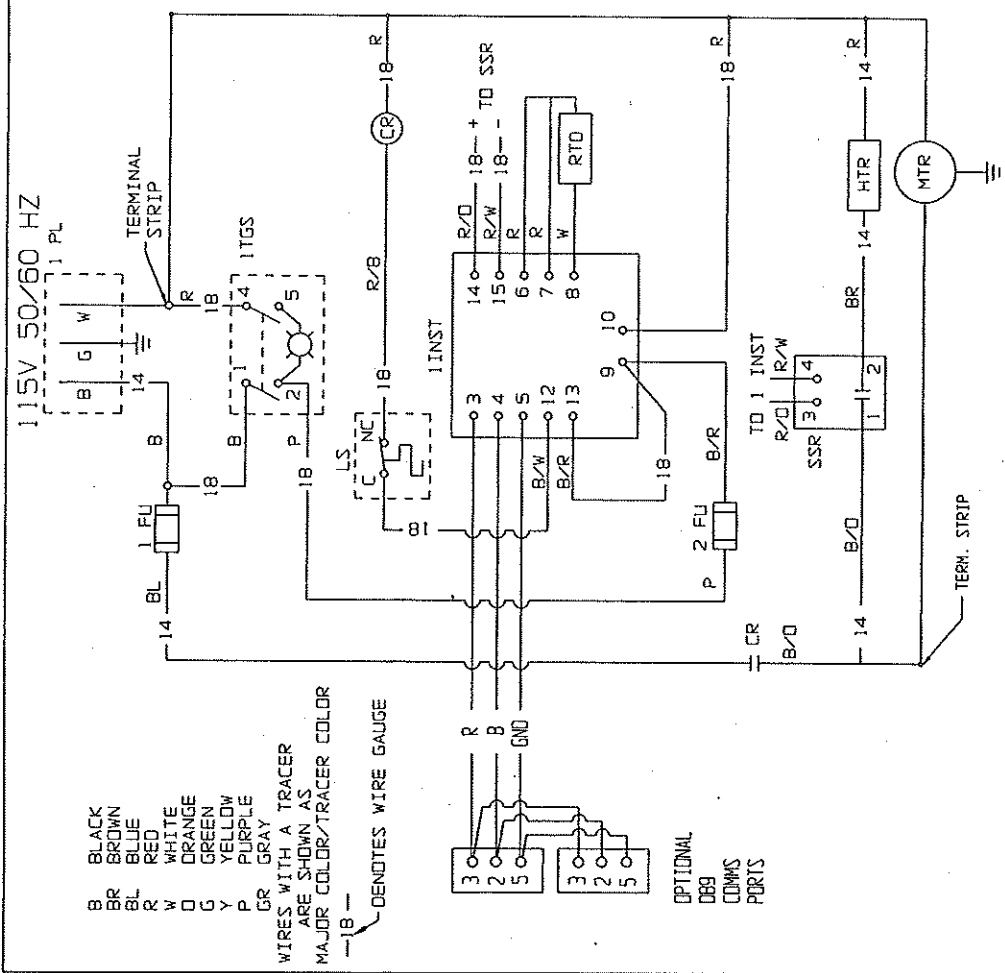
REVCO INSPECTION AND ENGINEERING
 APPROVAL MUST BE OBTAINED PRIOR TO
 INITIAL PRODUCTION RUN.

IF THE SPECIFICATIONS OR TOLERANCES
 NOTED ON THE DRAWING CAN NOT BE MET
 IMMEDIATELY NOTIFY REVCO ENGINEERING
 DEPARTMENT IN WRITING.

THIS DRAWING IS FURNISHED WITH THE UN-
 DERSTANDING THAT THE DRAWING IS TO BE
 USED FOR THE DESIGN OF THE PARTS IN
 PART WITHOUT WRITTEN AUTHORIZATION BY
 REVCO. ALL DESIGNS ORIGINATED BY REVCO
 ARE THE PROPERTY OF SAID COMPANY AND
 WILL BE PROTECTED BY PATENTS.

GS REVCO/LINDBERG
 ASHEVILLE N. C.

TITLE: WIRING DIAGRAM WATER BATH - 100°C
 SCALE: NONE
 DIST: I
 B 304173 104



TOLERANCES UNLESS OTHERWISE SPECIFIED	DATE
DECIMALS .000 ± .010	
ANGULAR .00 ± .03	
DRAWN DW 6/3/99	
CHECKED	
APPROVED	
RELEASED 29910	
REV	
DATE	

** PARTS NOT SHOWN
 ** OPTIONAL EQUIPMENT
 *** 20 AMP SERVICE CORD & 1/25HP PUMP USED
 ON REFRIGERATED WATER BATH ONLY.

B 304173 I 11

REPLACEMENT PARTS LIST ----- SWB1122C - 100°C
 *** RSWB222CY - 100°C
 *** RSWB322NY - 100°C

PART	DESCRIPTION	PART NO.	QTY
HTR	HEATER, 1120 SIZE 1.4 KW, 240V	38941H05	1
1 TSS	SWITCH, ROCKER DPST GREEN ILLUM	118005	1
1 INST	CONT. TEMP UT150	303115H03	1
RTO	RTO 100 OHM 3/16" X 2" LG 1/4WPT	118010	1
LS	CONTROL HI-LIMIT, MAN. RES. 150C	118319	1
1 MTR	PUMP, CENTRIFUGAL 1/100 HP 115V	118039	1
CR	CONTROL RELAY	302819H03	1
SSR	RELAY S.S. 40A @ 240V, 3-32 VDC	102480	1
2 FU	TERM STRIP 5 PT W/ JUMPER	82717H01	1
1 FU	FUSE BUSSMAN FND 1 500V	E04J-1	1
1 FU	FUSE TYPE FND 15 AMP 500V	E04G-23	2
1 PL	BARRIER, END, FUSE BLOCK # 3742	E04G-24	1
1 PL	SERVICE CORD 15A/250V	48951H03	1
2 MTR	GEAR MOTOR, 0-155 RPM, 12 VDC	38578G05	1
POT	POTENTIAL METER, 1000 OHM 2 WATT C	118059	1
2 TSS	SWITCH, ROCKER DPST GREEN NEON	E03B-1-15	1
2 INST	ECB ASSEMBLY, DC PUMPER SUPPLY	118007	1
1 MTR	PUMP CENTRIFUGAL 1/25 HP, 230V	118000	1
3 FU	FUSE, TYPE AGC, 1/8 AMP 250V	38937H01	1
		E04E-0-12	1

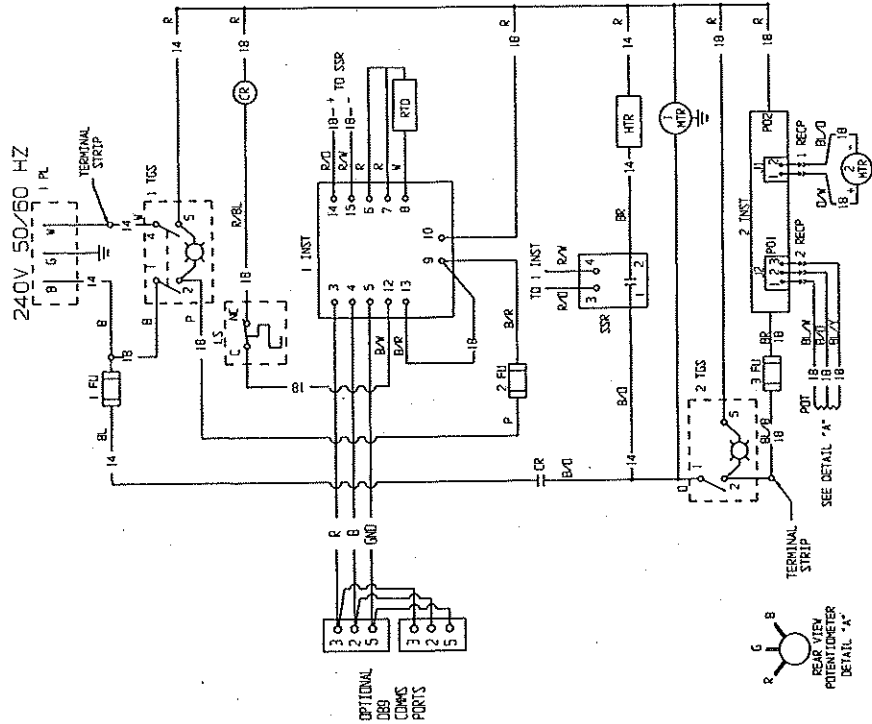
B BLACK
 BK BROWN
 BL BLUE
 R RED
 W WHITE
 D DRAB
 G GREEN
 Y YELLOW
 P PURPLE
 GR GRAY

WIRES WITH A TRACER
 ARE SHOWN AS
 MAJOR COLOR/ TRACER COLOR

-- 18--
 DENOTES WIRE GAUGE

* PARTS NOT SHOWN
 ** OPTIONAL EQUIPMENT
 *** 1/25 HP PUMP USED ON REFRIGERATED WATER BATH ONLY

TEMPERATURE RANGE: 5°C ABOVE AMBIENT TO +100°C AT SEA LEVEL.



REVCD INSPECTION AND ENGINEERING
 REMOVAL SHALL BE OBTAINED PRIOR TO
 INITIAL PRODUCTION RUN.

IF THE SPECIFICATIONS OR TOLERANCES
 NOTED ON THE DRAWING CAN NOT BE MET,
 IMMEDIATELY NOTIFY REVCD ENGINEERING
 DEPARTMENT IN WRITING.

THIS DRAWING IS FURNISHED WITH THE UN-
 DERSTANDING THAT THE ESSENCE THEREOF
 WILL NOT BE REPRODUCED IN WHOLE OR IN
 PART, WITHOUT WRITTEN AUTHORIZATION BY
 REVCD. ALL DESIGNS ORIGINATED BY REVCD
 WILL BE PROTECTED BY PATENTS. COMPANY AND
 WILL BE PROTECTED BY PATENTS.

GS REVCD/LINDBERG
 ASHEVILLE N. C.

DATE	REVISIONS	DRWN	DW	16/11/99
		CHECKED		
		APPROVED		
		RELEASED	29910	

TOLERANCES UNLESS OTHERWISE SPECIFIED
 DECIMALS .000 I .010
 ANGULAR .00 ± .03

TITLE
 WIRING DIAGRAM 100°C WATER BATH
 SCALE NONE
 DIST. I
 B 304173 I 11

12 Boiling Point Table

Table 7. Effect of Altitude on Boiling Point and PSIA

Altitude (ft)	Altitude (meters)	Boiling Point (°F)	Boiling Point (°C)	Atmospheres	PSIA
0	0	212	100	1.000	14.70
1000	305	210	99	0.965	14.19
2000	610	208	98	0.931	13.69
3000	915	206	97	0.899	13.21
4000	1220	205	96	0.867	12.74
5000	1524	203	95	0.836	12.28
6000	1829	201	94	0.806	11.84
7000	2134	200	93	0.777	11.41
8000	2439	198	92	0.748	11.00
9000	2744	196	91	0.721	10.60
10000	3049	195	91	0.694	10.20

13 Warranty

13.1 Domestic Warranty (United States and Canada)

Lindberg/Blue M warrants this product to the owner for a period of twelve (12) months from date of shipment by Lindberg/Blue M. Under this warranty Lindberg/Blue M through its authorized Dealer or service organizations, will repair or at its option replace any part found to contain a manufacturing defect in material or workmanship, without charge to the owner, for a period of ninety (90) days, the labor, and a period of one (1) year, the parts, necessary to remedy any such defect. All components used in the manufacture of this product are covered by this warranty excluding heating elements and thermocouples.

This warranty is limited to products purchased and installed in the United States and Canada. It does not apply to damage caused from failure to properly install, operate, or maintain the product in accordance with the printed instructions provided. This warranty shall not apply to equipment or parts which have been subjected to negligence, accident, or damage by circumstances beyond Lindberg/Blue M's control or improper operation, application, maintenance, or storage.

To obtain prompt warranty service, contact the nearest Lindberg/Blue M authorized service center or Dealer. A listing of these companies will be provided upon request. Lindberg/Blue M's own shipping records showing date of shipment shall be conclusive in establishing the warranty period.

This warranty is in lieu of any other warranties, expressed or implied, including merchantability or fitness for a particular purpose. The owner agrees that Lindberg/Blue M's sole liability with respect to defective parts shall be as set forth in this warranty, and any claims for incidental or consequential damages are expressly excluded.

13.2 International Warranty (excluding Canada) 12 Months Parts Warranty

Lindberg/Blue M warrants this product to the original owner for a period of twelve (12) months from the date of shipment from the Lindberg/Blue M factory. Thermocouples and heating elements are excluded from this warranty. If any part is found to contain a manufacturing defect in material or workmanship Lindberg/Blue M will, at its option, repair or replace the part. Lindberg/Blue M assumes no responsibility for any labor expenses for service, removal, or reinstallation required to repair or replace the part, or for incidental repairs, and such costs are the responsibility of the Owner and his Dealer.

The warranty does not apply to damage caused by accidents, misuse, fire, flood, Acts of God or any other events beyond Lindberg/Blue M's control or to damage caused from failure to properly install, operate, or maintain the product in accordance with the printed instructions provided by Lindberg/Blue M. To obtain prompt warranty service, simply contact the Dealer from whom you purchased the product or the nearest Dealer handling Lindberg/Blue M products. Lindberg/Blue M's own shipping records showing date of shipment shall be conclusive in establishing the warranty period.

This warranty is in lieu of any other warranties, expressed or implied, including merchantability or fitness for a particular purpose. The owner agrees that its sole remedy and Lindberg/Blue M's sole liability with respect to defective parts or any other claim shall be as set forth in this warranty, and any claims for incidental, consequential or other damages are expressly excluded.

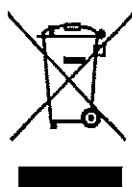
WEEE Compliance

Great Britain



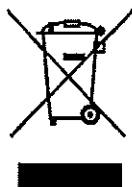
WEEE Compliance. This product is required to comply with the European Union's Waste Electrical & Electronic Equipment (WEEE) Directive 2002/96EC. It is marked with the following symbol. Thermo Scientific has contracted with one or more recycling/disposal companies in each EU Member State, and this product should be disposed of or recycled through them. Further information on Thermo Scientific's compliance with these Directives, the recyclers in your country, and information on Thermo Scientific products which may assist the detection of substances subject to the RoHS Directive are available at www.thermo.com/WEEERoHS

Deutschland



WEEE Konformität. Dieses Produkt muss die EU Waste Electrical & Electronic Equipment (WEEE) Richtlinie 2002/96EC erfüllen. Das Produkt ist durch folgendes Symbol gekennzeichnet. Thermo Scientific hat Vereinbarungen getroffen mit Verwertungs-/Entsorgungsanlagen in allen EU-Mitgliedstaaten und dieses Produkt muss durch diese Firmen verwertet oder entsorgt werden. Mehr Informationen über die Einhaltung dieser Anweisungen durch Thermo Scientific, die Verwerter und Hinweise die Ihnen nützlich sein können, die Thermo Scientific Produkte zu identifizieren, die unter diese RoHS Anweisung fallen, finden Sie unter www.thermo.com/WEEERoHS

Italia



Conformità WEEE. Questo prodotto deve rispondere alla direttiva dell'Unione Europea 2002/96EC in merito ai Rifiuti degli Apparecchi Elettrici ed Elettronici (WEEE). È marcato col seguente simbolo. Thermo Scientific ha stipulato contratti con una o diverse società di riciclaggio/smaltimento in ognuno degli Stati Membri Europei. Questo prodotto verrà smaltito o riciclato tramite queste medesime. Ulteriori informazioni sulla conformità di Thermo Scientific con queste Direttive, l'elenco delle ditte di riciclaggio nel Vostro paese e informazioni sui prodotti Thermo Scientific che possono essere utili alla rilevazione di sostanze soggette alla Direttiva RoHS sono disponibili sul sito www.thermo.com/WEEERoHS

France



Conformité WEEE. Ce produit doit être conforme à la directive européenne (2002/96EC) des Déchets d'Equipements Electriques et Electroniques (DEEE). Il est marqué par le symbole suivant. Thermo Scientific s'est associé avec une ou plusieurs compagnies de recyclage dans chaque état membre de l'union européenne et ce produit devrait être collecté ou recyclé par celles-ci. Davantage d'informations sur la conformité de Thermo Scientific à ces directives, les recycleurs dans votre pays et les informations sur les produits Thermo Scientific qui peuvent aider la détection des substances sujettes à la directive RoHS sont disponibles sur www.thermo.com/WEEERoHS

Important

For your future reference and when contacting the factory, please have the following information readily available:

Model Number: _____

Serial Number: _____

The above information can be found on the dataplate attached to the equipment. If available, please provide the date purchased, the source of purchase (Lindberg/Blue M or specific agent/rep organization), and purchase order number.

IF YOU NEED ASSISTANCE:

Lindberg/Blue M SALES DIVISION

Phone: 828/658-2827
800/657-0770

FAX: 800/873-2952

LABORATORY PARTS and SERVICE

Phone: 828/658-2891
800/438-4851

FAX: 828/658-2576

TECHNICAL SUPPORT

Phone: 800/438-4851

LINDBERG/BLUE 

275 Aiken Road
Asheville, NC 28804
U.S.A.